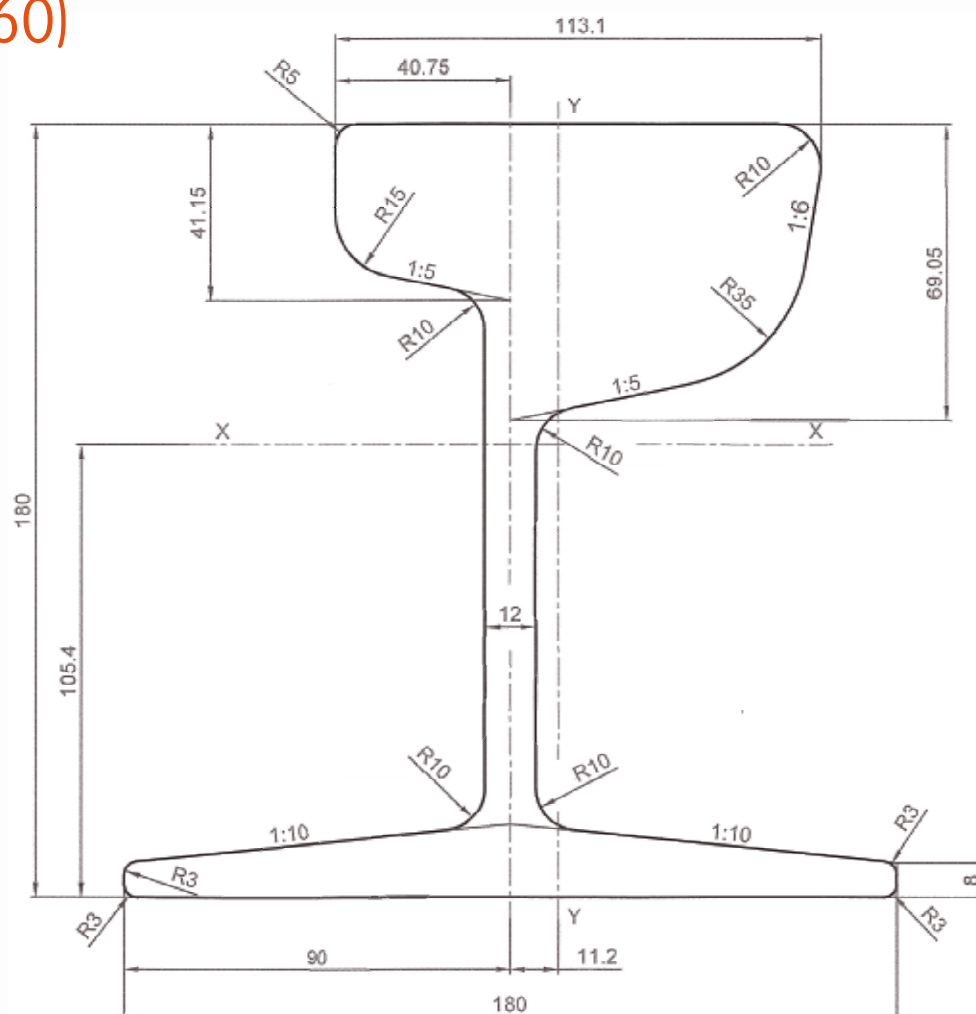




ArcelorMittal

Grooved Rails / Rillenschienen / Rail à Gorge

73C1 (VK Ri60)



ArcelorMittal

73C1 (VK Ri60)

Mass 72,73 kg/m

Area 92,65 cm²

Moment of Inertia

/xx 3949,3 cm⁴

/xy 1048,7 cm⁴

Additional contact info: rails.specialsections@arcelormittal.com